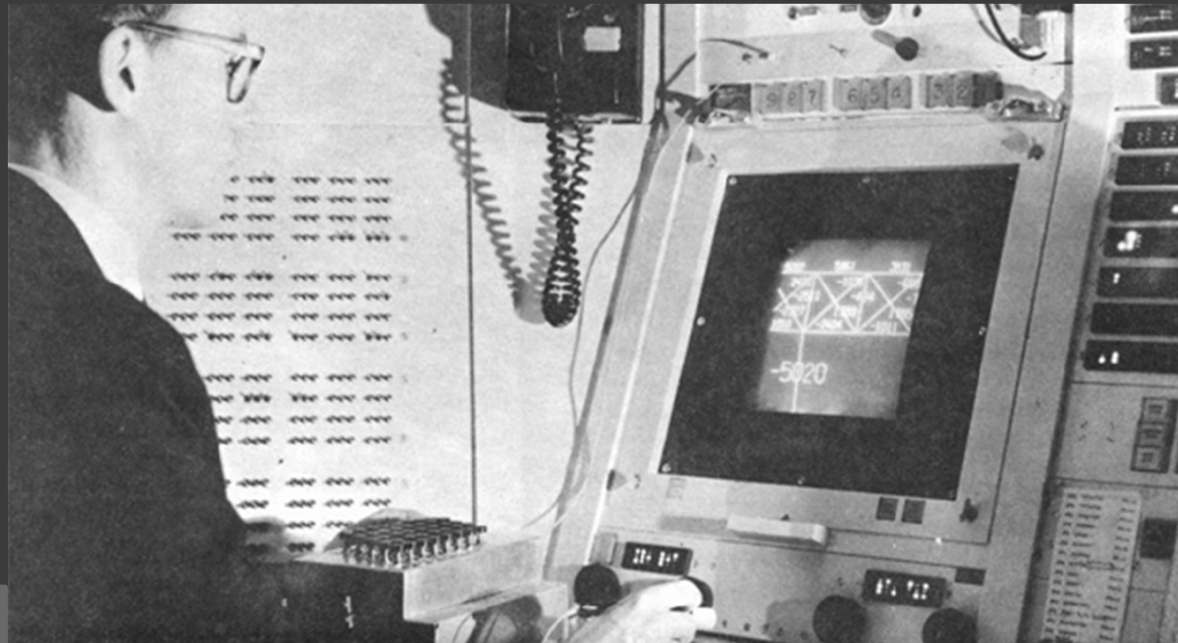


Matthew Sabo

# COMPUTER AIDED DESIGN (CAD)

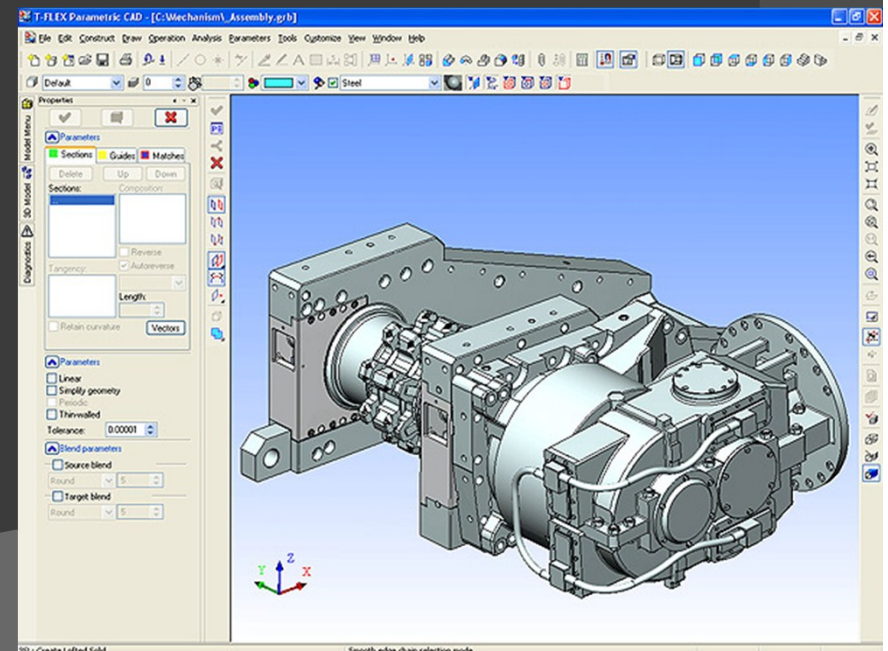
# Who

- IBM created this program which at the time they called Electronic Design Automation (EDA) To speed up the design process and eliminate errors.



# What

- CAD is a resource used to design 2D and 3D objects on a computer . These can be anything from a bolt or gear to a gull house or race car.



# When

- IBM created the first computer aided design program in the late 1950's
- But, James Koford and his colleagues at IBM created the groundwork for our modern programs in 1966.



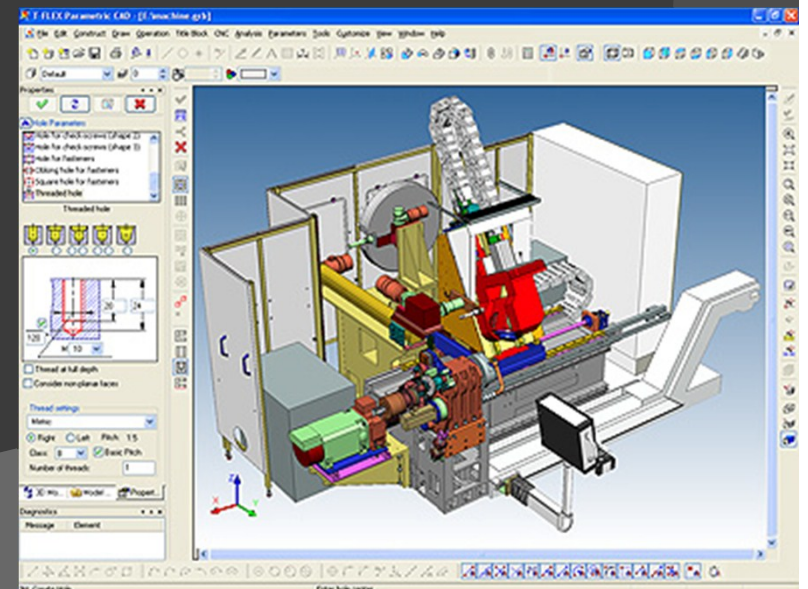
# Where

- Computer Aided Design originated here in America at IBM.



# Why

- Computer Aided Design was created to help with the design projects for engineers. It made the projects much faster to produce and lowered the possibility of human error.



- ◎ <http://www.computerhistory.org/semiconductor/timeline/1966-CAD.html>
- ◎ <http://www.cadazz.com/cad-software-history.htm>

This document was created with Win2PDF available at <http://www.win2pdf.com>.  
The unregistered version of Win2PDF is for evaluation or non-commercial use only.  
This page will not be added after purchasing Win2PDF.